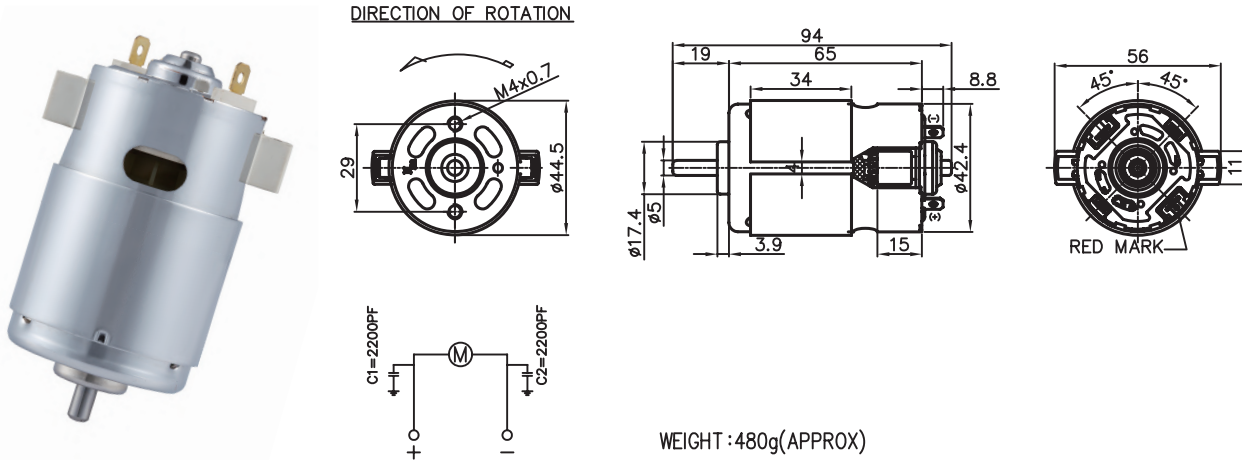


# 7712/7724

Carbon-brush motors

Application : Sewing Machine 、Drill & Screwdriver

用途：縫紉機、電動工具



MODEL	VOLTAGE		NO LOAD		AT MAXIMUM EFFICIENCY					STALL			
	OPERATING RANGE	NOMNAL	SPEED rpm	CURRENT A	SPEED rpm	CURRENT A	TORQUE g-cm	TORQUE mN-m	OUTPUT W	EFF %	CURRENT A	TORQUE g-cm	TORQUE mN-m
7712-10215-R	100 - 230	150V CONSTANT	4700	0.07	4058	0.20	477	46.76	19.88	69	1.12	3790	312.75
7712-1690-R	60 - 150	100V CONSTANT	8000	0.14	6845	0.52	532	52.16	37.40	73	3.39	4089	400.88
7724-09125-R	100 - 230	110V CONSTANT	3000	0.06	2304	0.16	352	34.51	8.33	48	0.48	1369	134.22
7724-2232-R	50 - 120	100V CONSTANT	12300	0.27	8643	2.86	1510	148.04	134.03	47	7.50	5433	532.65

馬達的出軸長度及性能參數，EMC 對策可依客人要求做調整，詳情可詢問相關業務人員。  
Please inquire your sales representative for output, performance and EMC solution.

