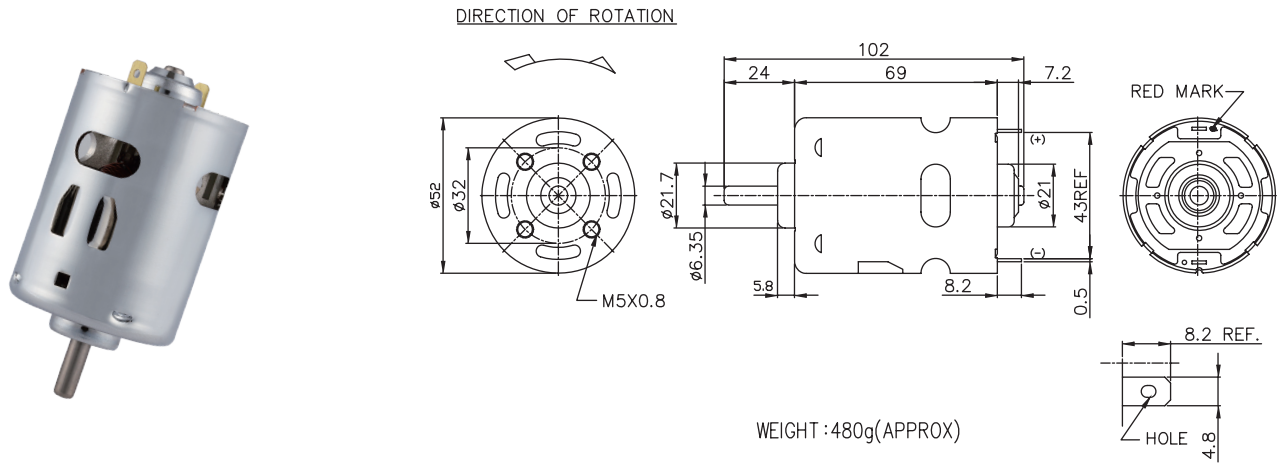


Application : Portable Power Tool 、 Electric Door

用途：電動工具、電動門



MODEL	VOLTAGE		NO LOAD		AT MAXIMUM EFFICIENCY					STALL			
	OPERATING RANGE	NOMNAL	SPEED rpm	CURRENT A	SPEED rpm	CURRENT A	TORQUE g-cm	OUTPUT mN-m	EFF %	CURRENT A	TORQUE g-cm	TORQUE mN-m	
987-4042-R	12.0 - 36.0	24.0V CONSTANT	6000	0.80	5000	2.46	803	78.73	41.23	69.53	15.55	5855	574
987-7514-R	6.0 - 26.0	24.0V CONSTANT	20000	3.80	17036	15.18	1558	152.75	272.58	76.87	101.63	12754	1250
987-6023-R	12.0 - 40.0	40.0V CONSTANT	20000	2.40	17513	10.43	1760	172.55	316.54	77.07	67.77	13590	1332
987-3750-R	12.0 - 36.0	12.0V CONSTANT	2400	0.74	2076	1.26	503	49.31	10.72	72.28	7.52	3496	343

馬達的出軸長度及性能參數，EMC 對策可依客人要求做調整，詳情可詢問相關業務人員。
Please inquire your sales representative for output, performance and EMC solution.

