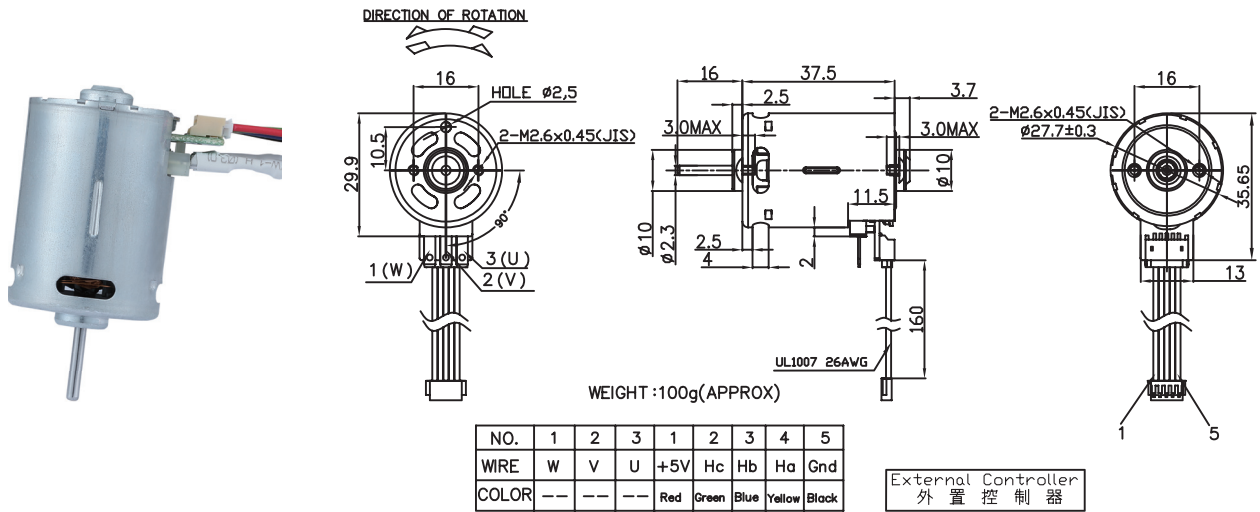


BL2838S

Brushless Dc Motor

Application : Vacuum Cleaner

用途：吸塵器



MODEL	VOLTAGE		NO LOAD		AT MAXIMUM EFFICIENCY					STALL			
	OPERATING RANGE	NOMINAL	SPEED	CURRENT	SPEED	CURRENT	TORQUE	OUTPUT	EFF	CURRENT	TORQUE		
			rpm	A	rpm	A	g-cm	mN-m	W	%	A	g-cm	mN-m
BL2838S-7V35K35W-B1X0N	7.0-24.0	7.0V CONSTANT	35842	1.40	29586	7.78	126.1	12.36	38.31	71	43.62	867.15	84.98
BL2838S-24V30K50W-B1X0N	7.0-24.0	24.0V CONSTANT	30200	0.28	25613	2.90	211.4	20.72	55.61	84	18.57	1552.6	152.15

馬達的出軸長度及性能參數，EMC 對策可依客人要求做調整，詳情可詢問相關業務人員。
Please inquire your sales representative for output, performance and EMC solution.

