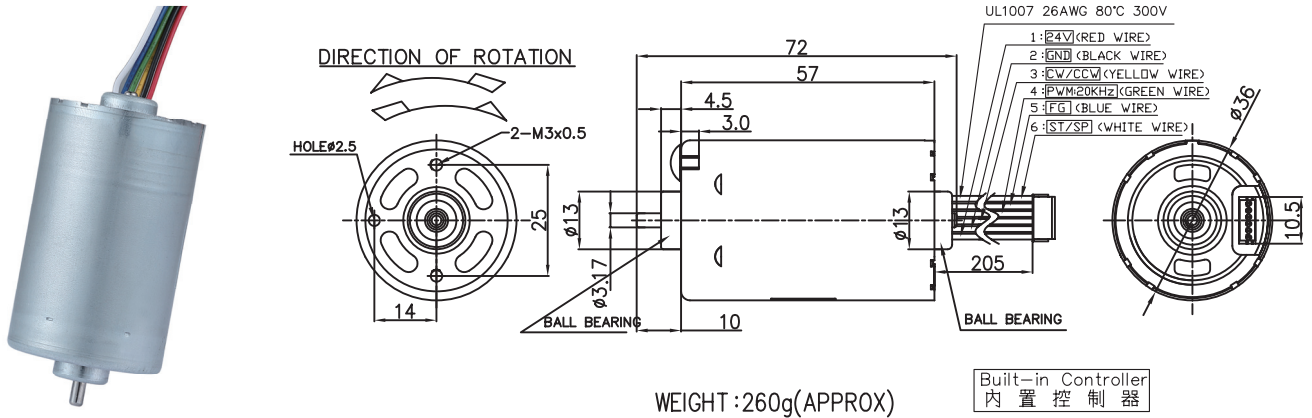


# BL3657

Brushless Dc Motor

Application : Gear Motor 、 Pump 、 Electric Fan 、 Bubble Wrap Machine 、 Robot Vacuum  
 用途：齒輪箱、泵浦、風扇、氣泡布製造機、掃拖地机器人



MODEL	VOLTAGE		NO LOAD		AT MAXIMUM EFFICIENCY						STALL		
	OPERATING RANGE	NOMNAL	SPEED	CURRENT	SPEED	CURRENT	TORQUE	OUTPUT	EFF	CURRENT	TORQUE		
			rpm	A	rpm	A	g-cm	mN-m	W	%	A	g-cm	mN-m
BL3657B-12V2.7K5.0W-B1X0N	10.0-30.0	12.0V CONSTANT	2700	0.15	2408	0.65	218	21.33	5.38	74	4.05	1662.2	162.96
BL3657B-24V9.0K35W-C1Y1P	10.0-30.0	24.0V CONSTANT	9000	0.35	7786	2.16	459	44.99	36.69	76	11.78	2952.1	289.42
BL3657B-12V3.5K9W-C1Y1P	10.0-30.0	12.0V CONSTANT	3500	0.17	2963	0.97	275	26.96	8.38	75	6.36	2146.4	210.43
BL3657B-20V9.4K30W-B1X0N	10.0-30.0	20.0V CONSTANT	9400	0.30	8525	1.83	322	31.57	28.19	79	13.79	2817.0	276.18

馬達的出軸長度及性能參數，EMC 對策可依客人要求做調整，詳情可詢問相關業務人員。  
 Please inquire your sales representative for output, performance and EMC solution.

