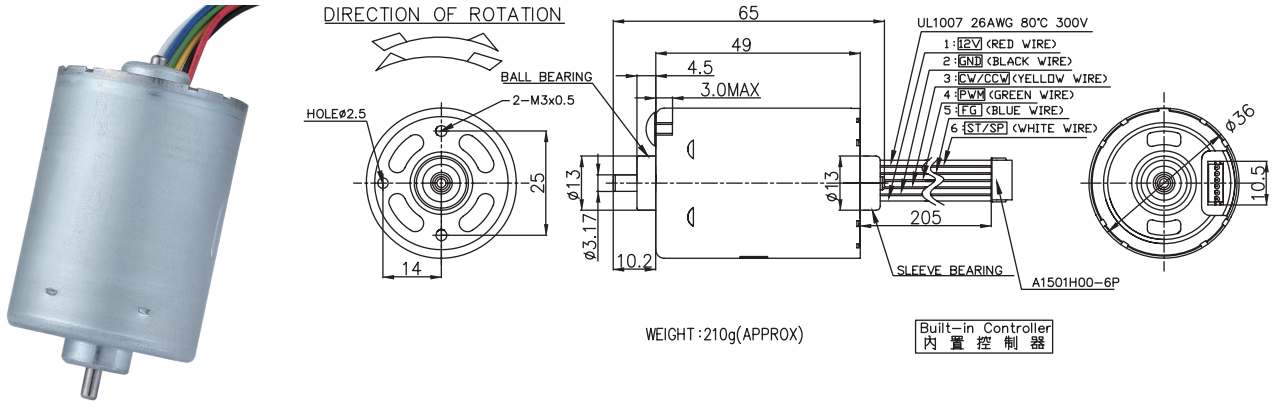


BL3649

Brushless DC Motor

Application : Gearbox 、 Pump 、 Robot 、 Vending Machine 、 Electric Bicycle 、 Cutting Machine 、 Lawn Mower

用途：齒輪箱、泵浦、機器人、自動販賣機、電動腳踏車、切割機、智能割草機



MODEL	VOLTAGE		NO LOAD		AT MAXIMUM EFFICIENCY					STALL			
	OPERATING RANGE	NOMINAL	SPEED rpm	CURRENT A	SPEED rpm	CURRENT A	TORQUE g-cm	OUTPUT mN-m	EFF %	CURRENT A	TORQUE g-cm	TORQUE mN-m	
BL3649B-24V5.0K13W-B1X0N	10.0-30.0	24.0V CONSTANT	5000	0.16	4484	0.72	286	28.04	13.17	81	5.23	2379	233.24
BL3649B-12V3.5K7.0W-C1Y1P	10.0-30.0	12.0V CONSTANT	3500	0.16	3135	0.85	242	23.73	7.79	78	6.04	1936	189.80
BL3649B-12V10.5K38W-B1X0N	10.0-30.0	12.0V CONSTANT	10300	0.60	9042	3.83	379	37.16	35.19	78	25.92	2948	289.02
BL3649B-24V10K30W-B1X0N	10.0-30.0	12.0V CONSTANT	10000	0.35	8532	2.17	438	42.94	38.38	79	13.19	3081	302.06

馬達的出軸長度及性能參數，EMC 對策可依客人要求做調整，詳情可詢問相關業務人員。
Please inquire your sales representative for output, performance and EMC solution.

