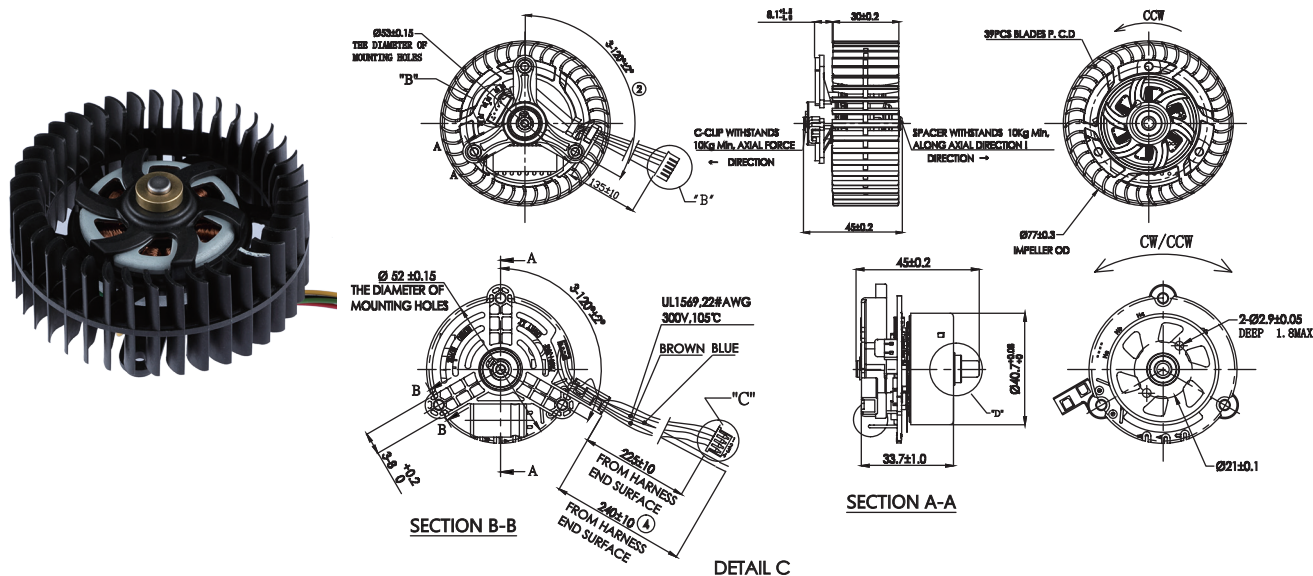


# BL40E16

## External Rotor BLDC Motor

Application : Hair Dryer

用途：吹風機



### Motor Performance (Without Fan) / 電機性能 (無風葉)

MODEL	VOLTAGE		NO LOAD		AT MAXIMUM EFFICIENCY					STALL			
	OPERATION RANGE	NOMINAL	SPEED rpm	CURRENT A	SPEED rpm	CURRENT A	TORQUE g-cm	OUTPUT mN-m	EFF. %	CURRENT A	TORQUE mN-m		
BL40E16B-220V15K80W-C1Y0V	(176-240)Vac	220Vac/60HZ	19000	0.12	14800	0.5	260	25.5	40	64	1.7	1186	116.3
BL40E16B-120V19K110W-C1Y0P	(96-144)Vac	120Vac/60HZ	18000	0.24	10760	0.8	360	35.3	40	63	2.0	1260	123.5

馬達的出軸長度及性能參數，EMC 對策可依客人要求做調整，詳情可詢問相關業務人員。  
Please inquire your sales representative for output, performance and EMC solution.

### Motor Performance (With Fan) / 電機性能 (帶風葉)

MODEL	VOLTAGE		NO LOAD		ON LOAD (IN DRYER HOUSING)				CONTROLLER FUNCTION
	OPERATION RANGE	NOMINAL	SPEED rpm	CURRENT A	IMPELLER SPEED rpm	INPUT CURRENT A	INPUT POWER w	AIR VELOCITY m/s	
BL40E16B-220V15K80W-C1Y0V	(176-240)Vac	220Vac/60HZ	19000	0.12	8800	0.7	105	18.5	1.VOLTAGE SPEED ADJUSTMENT 2.PWM SPEED ADJUSTMENT 3.LOCKED ROTOR PROTECTION 4.OVER CURRENT PROTECTION
BL40E16B-120V19K110W-C1Y0P	(96-144)Vac	120Vac/60HZ	18000	0.24	8400	1.1	100	18.5	5.OVER-VOLTAGE PROTECTION 6.OVER TEMPERATURE PROTECTION 7.FG PROTECTION

馬達的出軸長度及性能參數，EMC 對策可依客人要求做調整，詳情可詢問相關業務人員。  
Please inquire your sales representative for output, performance and EMC solution.

