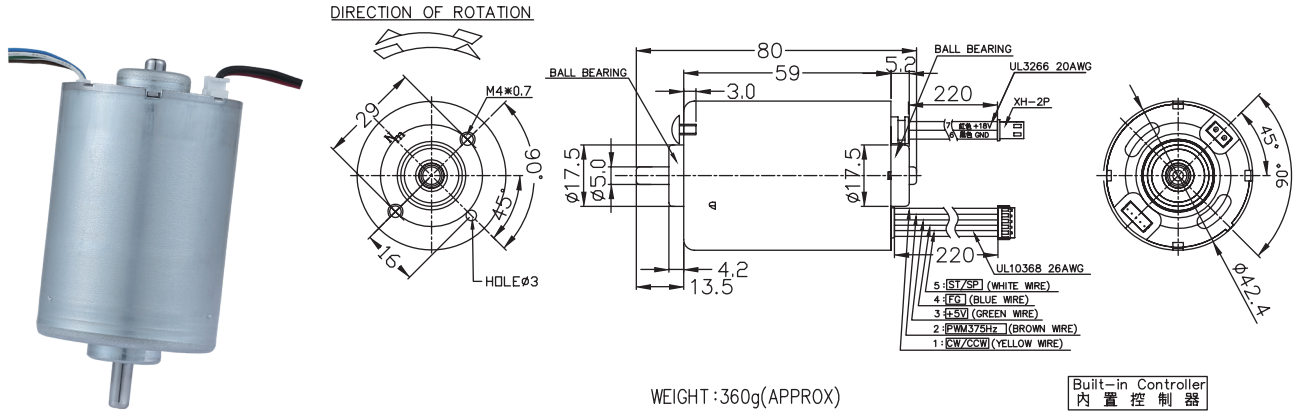


# BL4259

## Brushless DC Motor

Application : Water Pump 、 Robot Vacuum 、 Cutting Machine 、 Washing Machine 、 Nucleic Acid Extractor 、 Automatic Beer Dispenser

用途：水泵、掃地機、切割機、清洗機、自動核酸萃取儀、啤酒機



MODEL	VOLTAGE		NO LOAD		AT MAXIMUM EFFICIENCY					STALL			
	OPERATING RANGE	NOMINAL	SPEED rpm	CURRENT A	SPEED rpm	CURRENT A	TORQUE g-cm	TORQUE mN-m	OUTPUT W	EFF %	CURRENT A	TORQUE g-cm	TORQUE mN-m
BL4259B-24V6.0K30W-B1X0N	10.0-26.0	24.0V CONSTANT	6100	0.25	5211	2.45	802	78.63	42.92	76	15.28	5783	566.96
BL4259B-24V4.0K20W-C1Y1P	10.0-26.0	24.0V CONSTANT	4000	0.19	3413	1.16	627	61.47	21.97	82	7.67	4786	469.22
BL4259B-20V9.4K35W-C1Y0P	10.0-26.0	20.0V CONSTANT	9400	0.40	7968	2.36	413	40.49	33.81	79	11.02	2290	224.51
BL4259B-12V5.6K20W-C1Y1P	10.0-26.0	12.0V CONSTANT	5600	0.60	4978	2.93	478	46.86	24.44	73	18.10	3710	363.73

馬達的出軸長度及性能參數，EMC 對策可依客人要求做調整，詳情可詢問相關業務人員。  
Please inquire your sales representative for output, performance and EMC solution.

