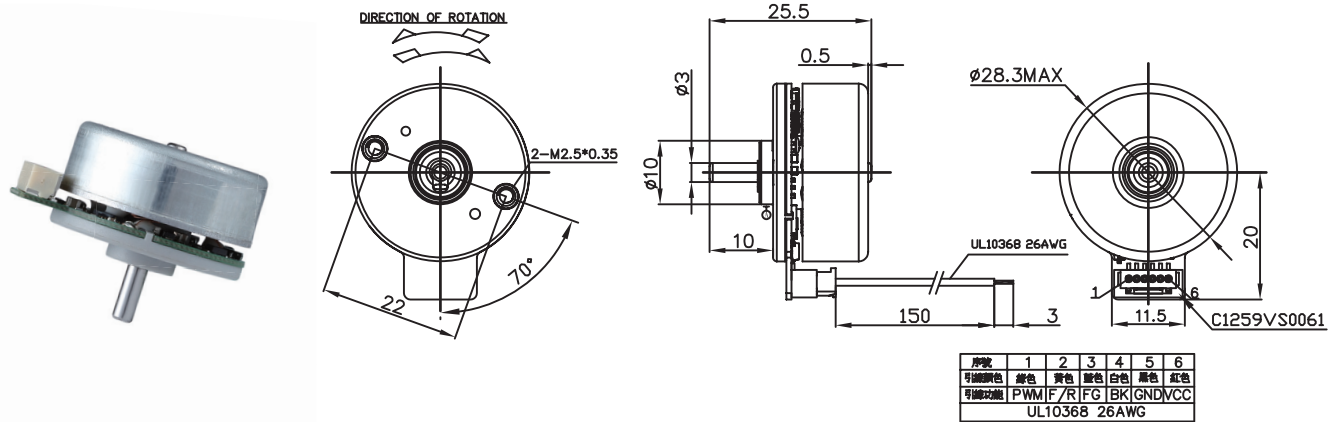


BL28E12B

Brushless Dc Motor

Application : Robot Vacuum

用途 : 智能吸尘器



WEIGHT : 30.5g(APPROX)

| MODEL | VOLTAGE | | NO LOAD | | AT MAXIMUM EFFICIENCY | | | | | STALL | | | |
|----------------------------|-----------------|----------------|---------|---------|-----------------------|---------|--------|------|--------|-------|---------|--------|-------|
| | OPERATING RANGE | NOMINAL | SPEED | CURRENT | SPEED | CURRENT | TORQUE | | OUTPUT | EFF | CURRENT | TORQUE | |
| | | | rpm | A | rpm | A | g-cm | mN-m | W | % | A | g-cm | mN-m |
| BL28E12B-12V5K2W-C1Y0P | 12V-16.8V | 12.0V CONSTANT | 5000 | 0.07 | 4068 | 0.35 | 64.51 | 6.30 | 2.70 | 68.7 | 1.46 | 338 | 33.10 |
| BL28E12B-16.8V7.2K4W-C1Y0P | 12V-16.8V | 16.8V CONSTANT | 7200 | 0.09 | 5695 | 0.43 | 81.77 | 8.00 | 4.80 | 70.9 | 1.77 | 411 | 40.30 |

马达的出轴长度及性能参数，EMC 对策可依客人要求做调整，详情可询问相关业务人员。
Please inquire your sales representative for output, performance and EMC solution.

