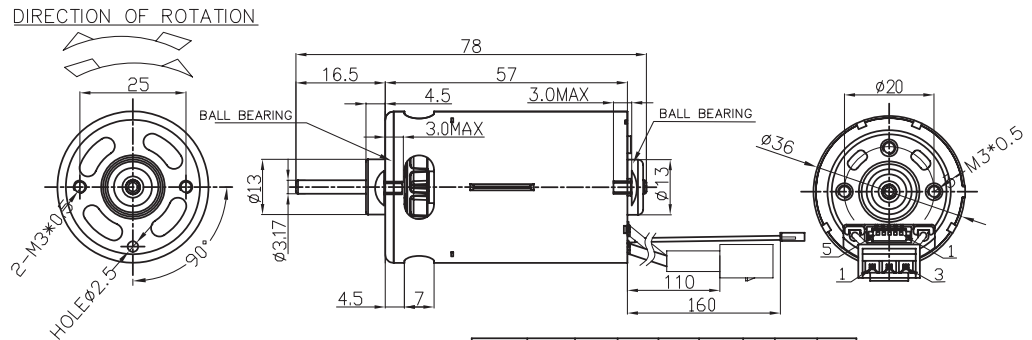


# BL3657S

Brushless Dc Motor

Application : Vacuum Cleaner 、 Ventilator

用途：吸塵器、呼吸機



WEIGHT : 260g (APPROX)

External Controller  
外置控制器

NO.	1	2	3	1	2	3	4	5
WIRE	U	V	W	+5V	Hc	Hb	Ha	Gnd
COLOR	Grey	Brown	White	Red	Green	Blue	Yellow	Black
Type	UL3135	18AWG		UL1007	26AWG			

MODEL	VOLTAGE		NO LOAD		AT MAXIMUM EFFICIENCY					STALL			
	OPERATING RANGE	NOMNAL	SPEED	CURRENT	SPEED	CURRENT	TORQUE		OUTPUT	EFF	CURRENT	TORQUE	
			rpm	A	rpm	A	Kg-cm	N-m	W	%	A	Kg-cm	N-m
BL3657S-14V30K150W-B1X0N	7.0-36.0	14.0V CONSTANT	30000	1.26	24938	15.84	0.58	0.06	149.56	69	87.69	4.04	0.40
BL3657S-36V19K100-B1X0N	7.0-36.0	36.0V CONSTANT	19300	0.30	16920	3.84	0.63	0.06	108.78	80	24.69	4.50	0.44
BL3657S-12V21K60W-B1X0N	7.0-36.0	12.0V CONSTANT	21000	0.80	19048	6.02	0.31	0.03	60.25	85	51.33	2.96	0.29
BL3657S-7.2V15.3K40W-B1X0N	7.0-36.0	7.2V CONSTANT	15300	0.74	13755	6.40	0.26	0.03	36.02	79	48.96	2.26	0.22

馬達的出軸長度及性能參數，EMC 對策可依客人要求做調整，詳情可詢問相關業務人員。  
Please inquire your sales representative for output, performance and EMC solution.

